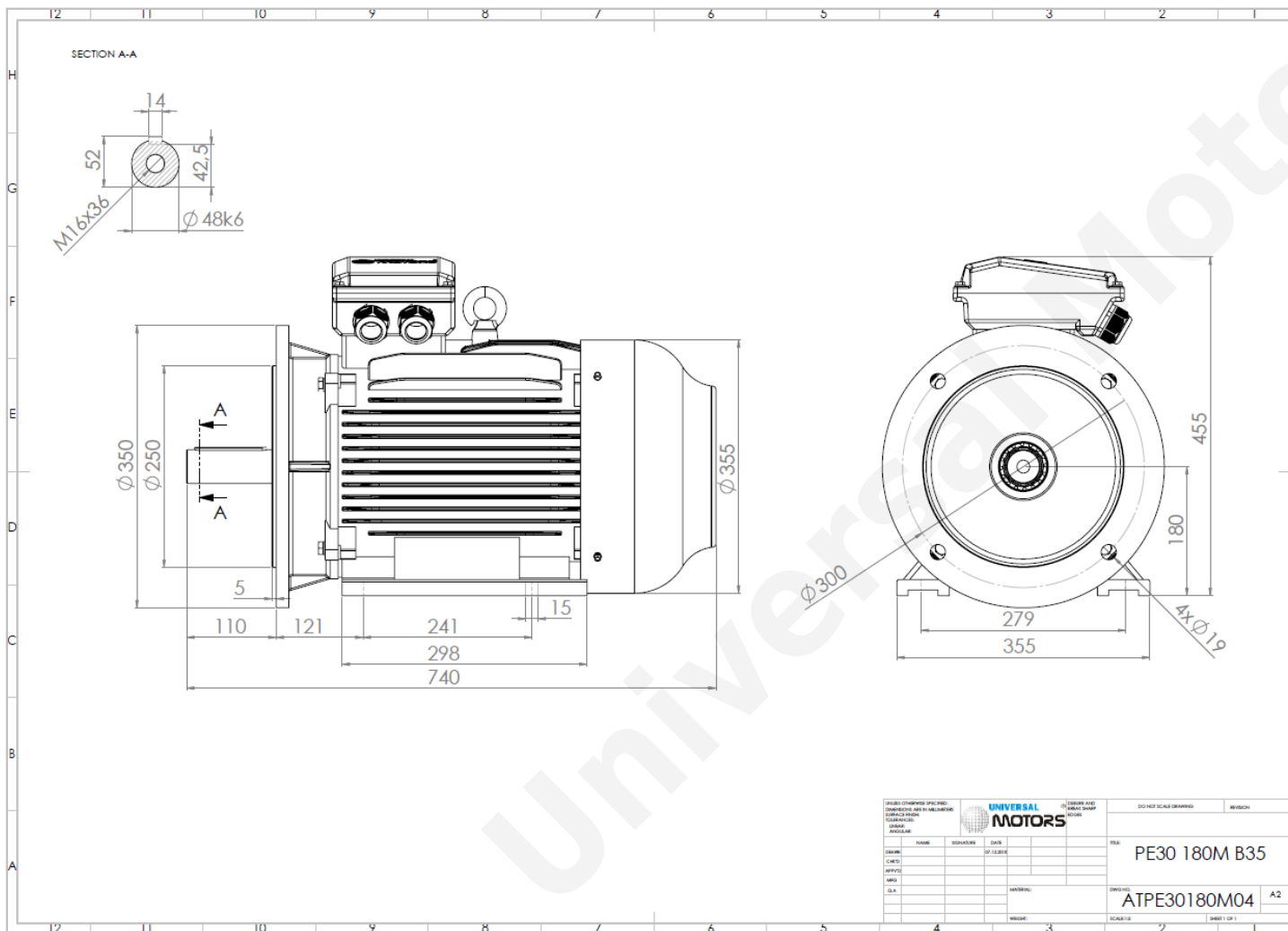




TECHNICAL DATA

Three Phase Electric Motors - Cast Iron Frame
 PE30 180 M 2 IE3
 22 kW / 30 Cv
 2960 RPM



Motor type:	PE30 180 M 2 IE3
Output:	22 kW / 30 Cv
Speed (min ⁻¹):	2960 RPM
Frequency:	50 Hz
Voltage:	400 V
Current:	38.5 A
Power factor (Cos ϕ):	0.89
Poles:	2
Insulation class:	F
Temperature rise Class:	B
Efficiency 50%:	91.8 %
Efficiency 75%:	92.9 %
Efficiency 100%:	92.7 %
Torque:	71 N.m
Tstarting/Tnominal:	2.0
Istarting/Inominal:	8.2
Tmaximum/Tnominal:	2.3
Noise:	83 Db(A)
Weight:	208 Kg
Bearing DE:	6311 C3
Bearing NDE:	6311 C3

Regime - S1

Altitude - 1000m

Environment Temperature - 40°C

CONTACTS:

UNIVERSAL MOTORS Tel: +351 252 299 080
 Rua de São Brás,745 Fax: +351 252 299 089
 4480-782 VILA DO CONDE Mail: geral@universalmotors.pt

* References applied only in the UK